

7.0.1 Brake



Inhalt / Contents

Seite / Page

Layout brake system CM 1600

2

Brake pedal

3

Travel brake (front wheels)

4

Parking brake (rear wheels)

5

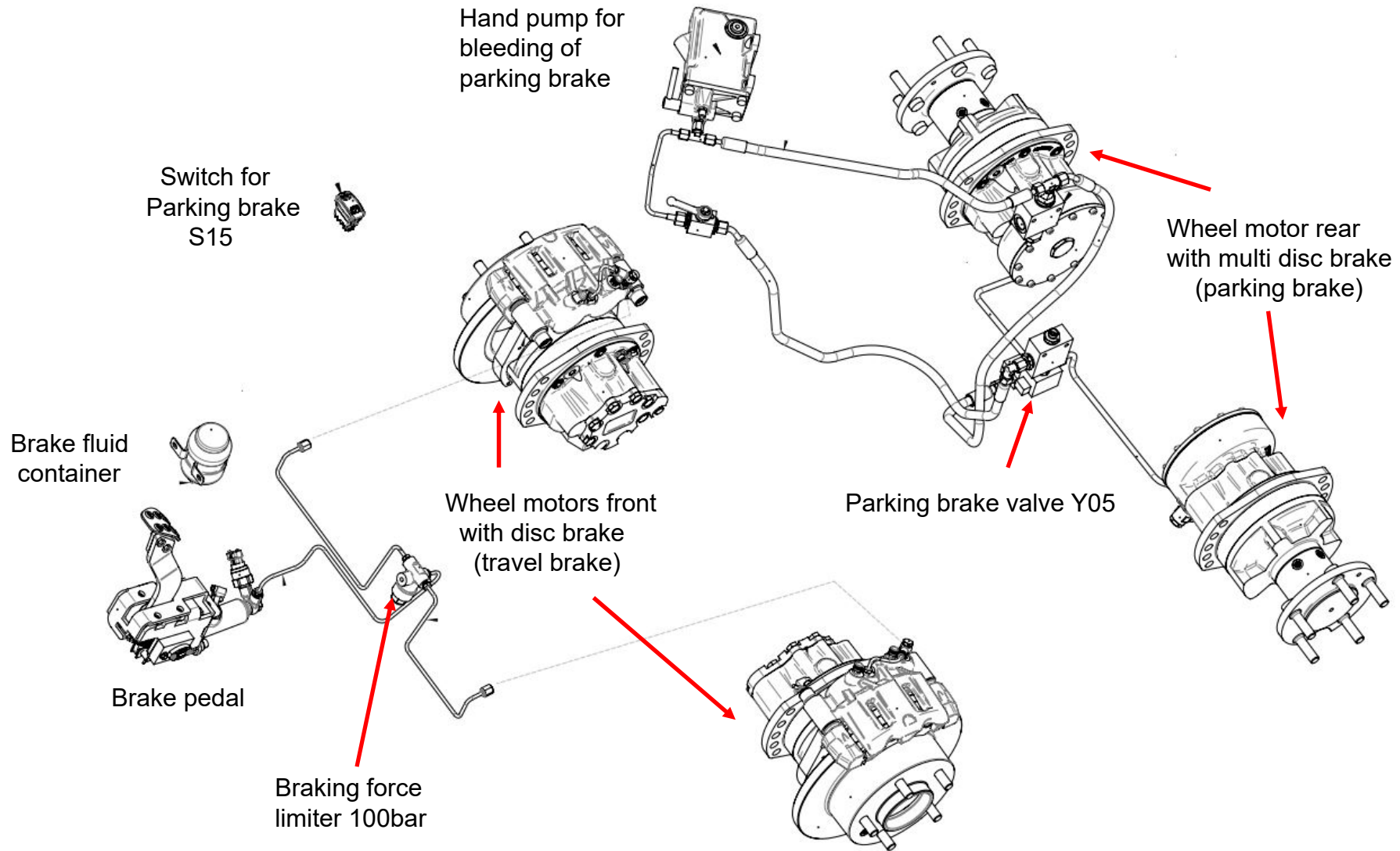
Brake front axle disassembling

6 - 8

Brake front axle assembling

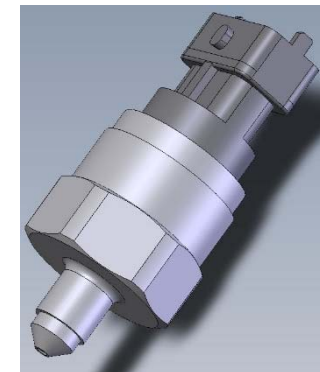
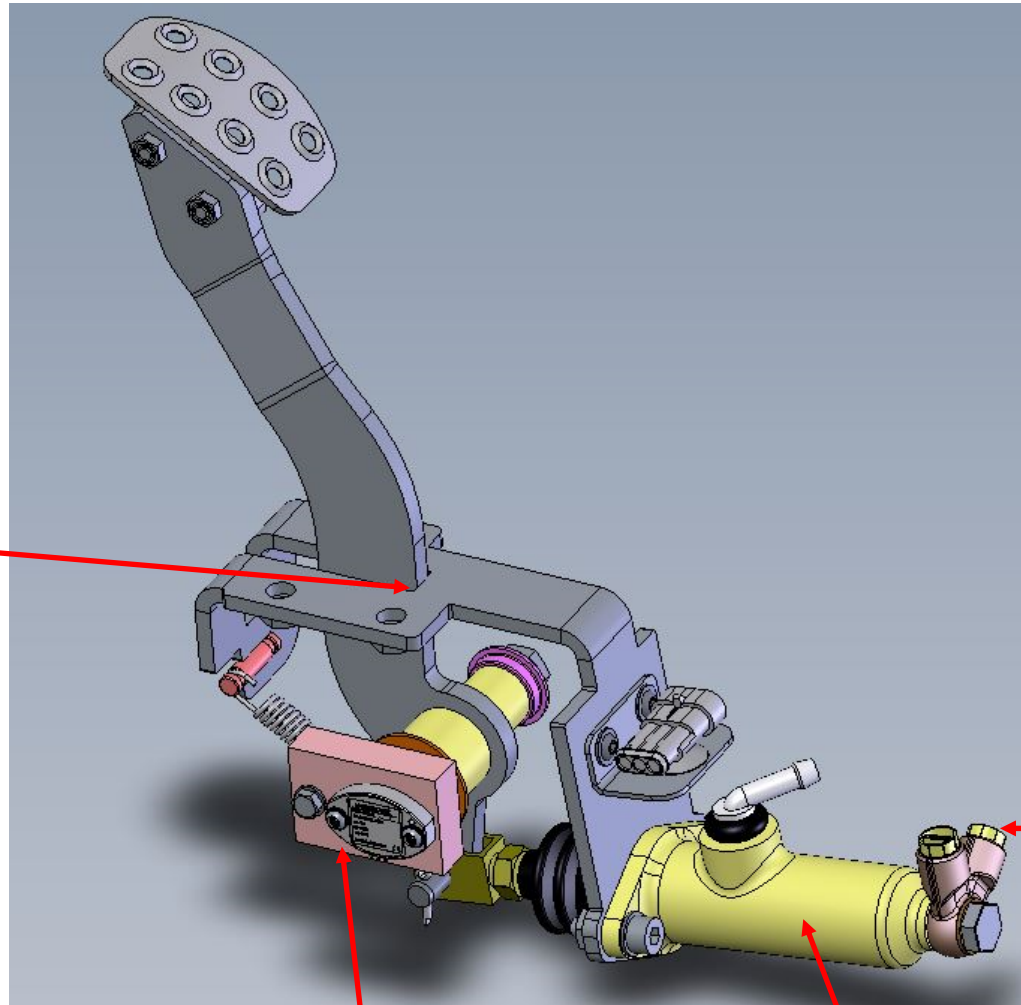
9

7.0.1 Brake



7.0.1 Brake

In neutral position (brake not operated) the brake pedal must contact the limit stop on the bracket



Pressure sensor B03 (not shown)

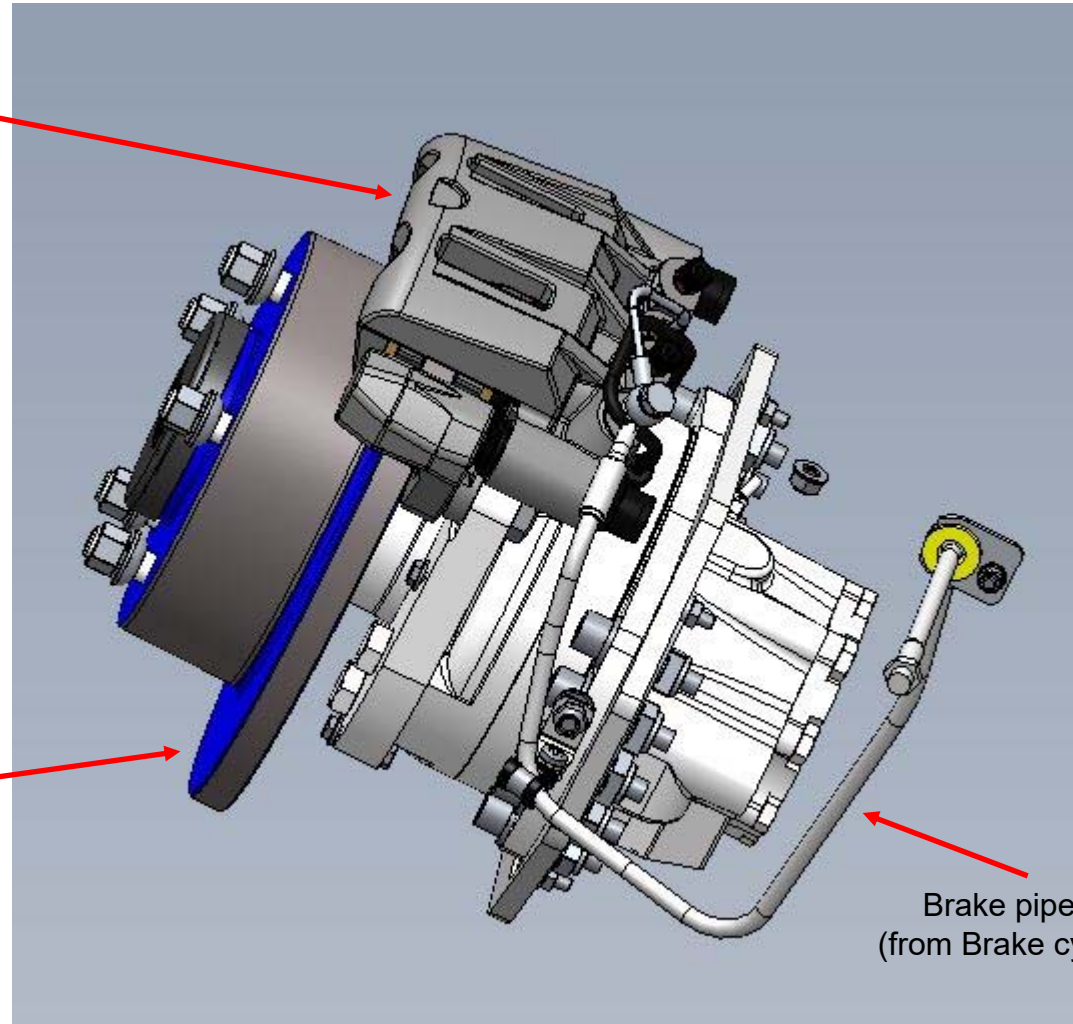
Hall sensor B11
For detection if brake pedal is applied

Brake cylinder

7.0.1 Brake

Brake calliper

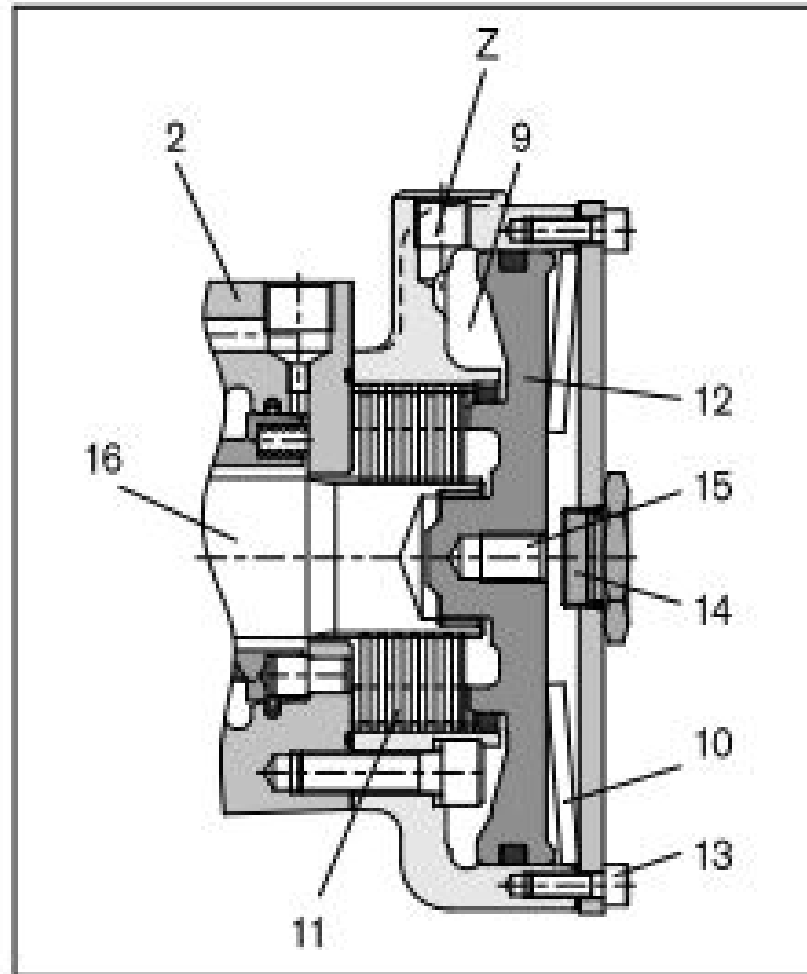
Brake disc



Brake pipe
(from Brake cylinder)

Wheel motor cpl. Front left

7.0.1 Brake



Multi disc brake (parking brake)
in the rear wheel motors
min. 11bar pressure for bleeding

Citymaster 1650 1491.15

7.0.1 Brake



**Brake front axle
dissassembly:**

**Loose wheel nuts
Lift machine
Remove wheel**

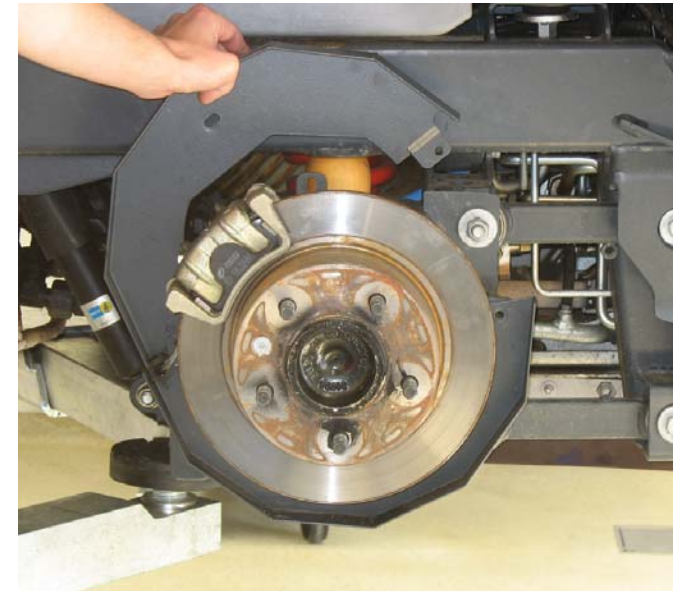


Citymaster 1650 1491.15

7.0.1 Brake

Hako
Group

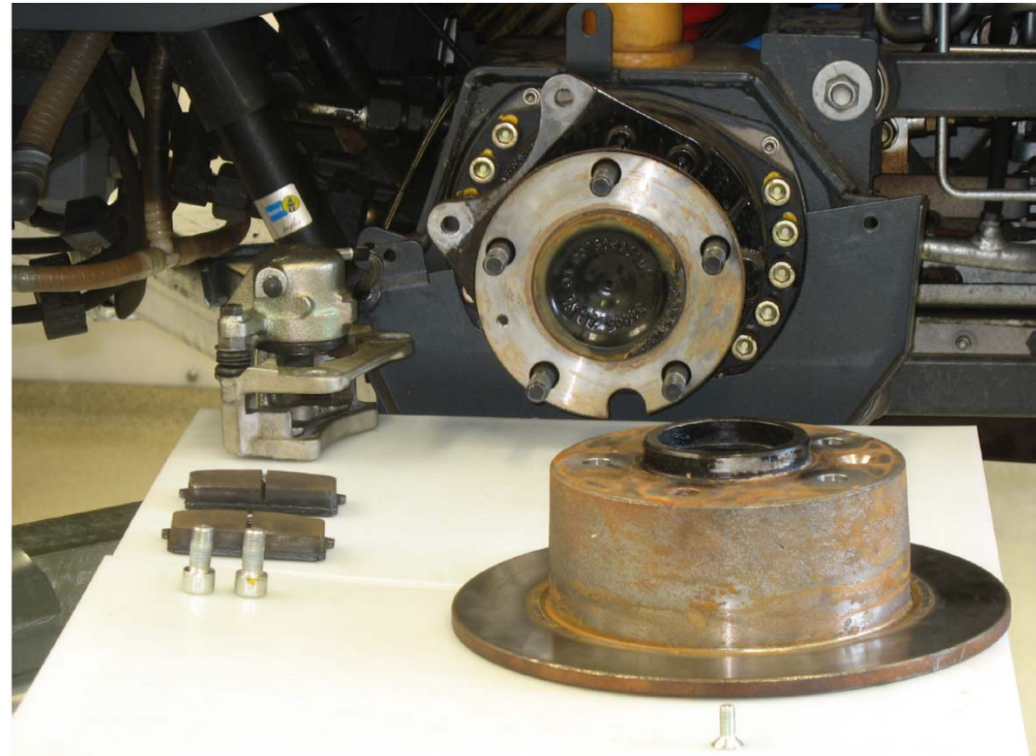
Remove top cover plate.



Disassemble brake calliper.
Change brake linings and if
necessary the brake disc.



7.0.1 Brake



7.0.1 Brake

Brake front axle assembly:

Mount brake disc

Mount brake calliper

**Secure the cylinder headscrews at the brake calliper
with Loctite 243**

Tighten cylinder head screws with 120Nm

Mount top cover plate

Mount wheel

Tighten wheel nuts with 180Nm

